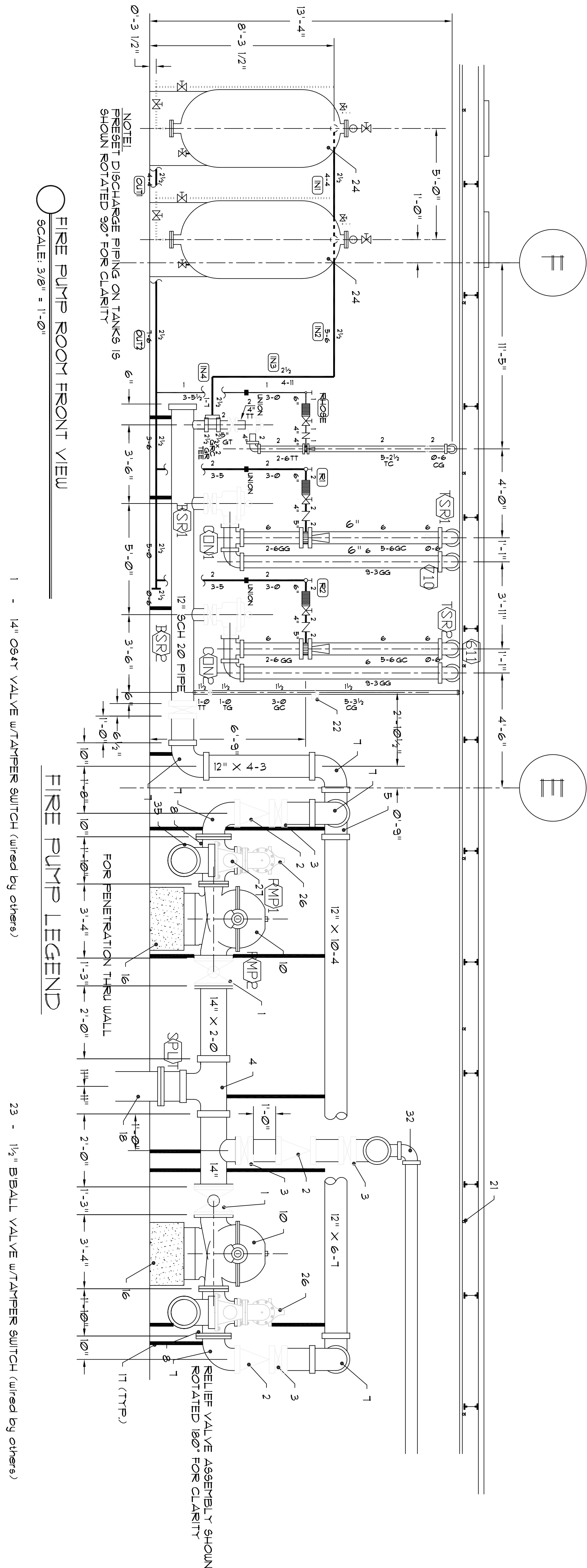


FIRE PUMP ROOM SIDE VIEW
SCALE: 3/8" = 1'-0"

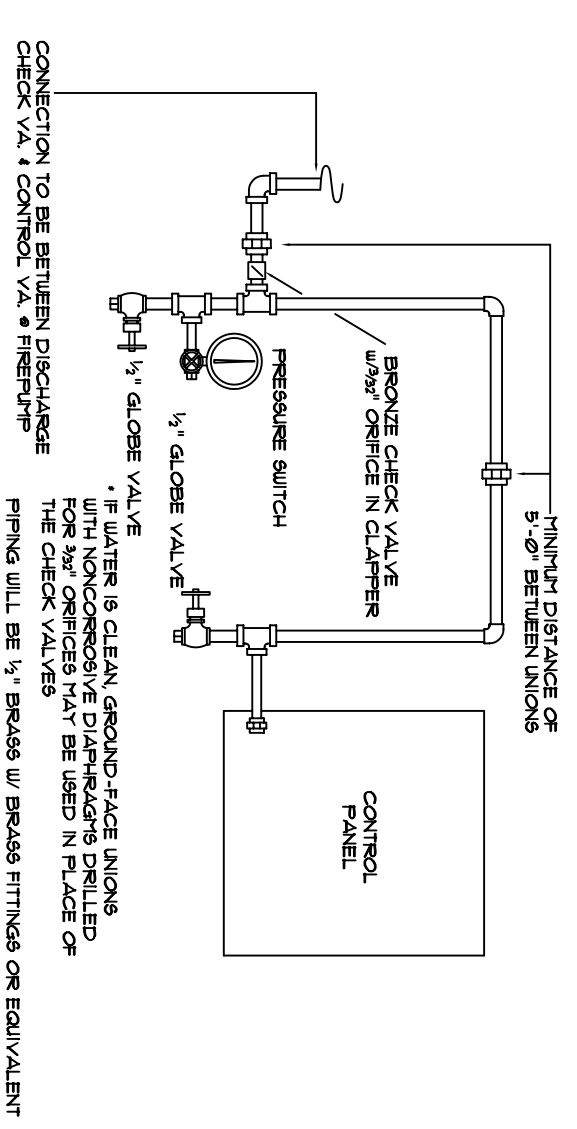


FIRE PUMP ROOM FRONT VIEW
SCALE: 3/8" = 1'-0"

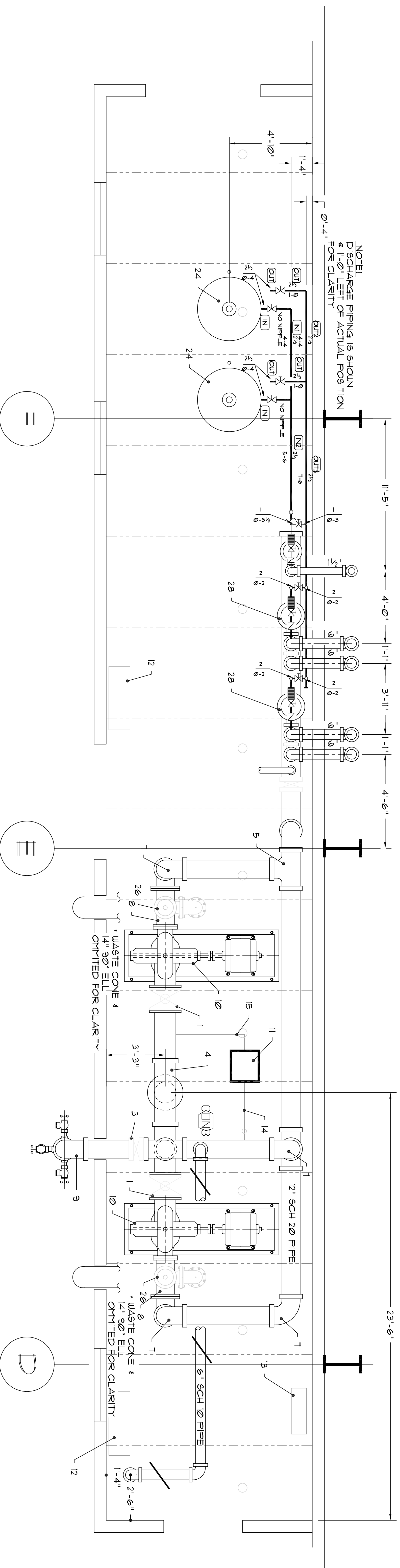
FIRE PUMP LEGEND

- 1 - 14" O&AT VALVE w/TAPPER SWITCH (wired by others)
- 2 - 12" GROOVED CHECK VALVE
- 3 - 12" GRID BFLY VALVE w/TAPPER SWITCH (wired by others)
- 4 - 14" GROOVED TEE
- 5 - 12" GROOVED TEE
- 6 - 12" GROOVED CAP
- 7 - 12" GROOVED 90° ELL
- 8 - 10" X 12" X 8" EX HEAVY FLANGED TEE
- 9 - 12" TEST HEADER w/(6), 2 1/2" HOSE VALVES, CAPS, & CHAINS
- 10 - 4000 GPM @ 100 PSI ELECTRIC MOTOR DRIVEN FIRE PUMP
- 11 - JOCKEY PUMP
- 12 - FIRE PUMP CONTROLLER
- 13 - JOCKEY PUMP CONTROLLER
- 14 - 1 1/2" JOCKEY PUMP DISCHARGE LINE
- 15 - 1 1/2" JOCKEY PUMP SUCTION LINE
- 16 - CONCRETE FIRE PUMP PAD
- 17 - PIPE STAND
- 18 - 16" FLANGE & SPRIGOT
- 19 - 16" 7/8" 90° BEND
- 20 - THRUST BLOCK
- 21 - UPRIGHT SPRINKLER
- 22 - WATER FLOW SWITCH
- 23 - 1 1/2" BALL VALVE w/TAPPER SWITCH (wired by others)
- 24 - 500 GALLON FOAM CONCENTRATE TANK
- 25 - 1" GLOBE VALVE
- 26 - 8" RELIEF VALVE
- 27 - 8" X 14" WASTE CONE
- 28 - 6" DELUGE VALVE
- 29 - 6" PROPORTIONER
- 30 - 6" WAFER BFLY VALVE w/TAPPER SWITCH (wired by others)
- 31 - 6" GROOVED TEE
- 32 - 6" GROOVED 90° ELL
- 33 - 2" DELUGE VALVE
- 34 - 2" PROPORTIONER
- 35 - 14" GROOVED 90° ELL
- 36 - 8" FLANGED 90° ELL
- 37 - 2" BALL VALVE w/TAPPER SWITCH (wired by others)

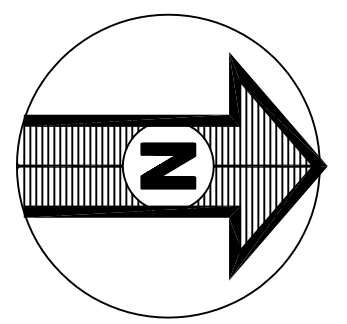
FOR UNDERGROUND PIPING SEE DUG FIP OF 4
FOR HANGER PIPING GENERAL NOTES, DETAILS,
SECTION VIEW OF 4
FOR OFFICE PIPING SEE DUG SHP OF 4



SENSING LINE DETAIL
SCALE: NTS



FIRE PUMP ROOM PLAN VIEW
SCALE: 3/8" = 1'-0"



NO.	DATE	REVISIONS
1	8/20/95	GEN. CONSTRUCTION REVISION - DAW

WATER SUPPLY INFORMATION	
STATIC PRESSURE	75
RESIDUAL PRESSURE	55
FRICTION LOSS	100 @ 1000
TYPE OF WATER	ELECTRIC
DATE OF TEST	11/14/95
NAME OF TEST	QUIC
TEST PERFORMED BY	
HIGHWAY LOCATION	

DESIGN CRITERIA	
SYSTEM NO.	
DESIGN AREA	
DESIGN AREA SF	
PSI HEAD @ BARR	
PSI HEAD @ BARR	
NO. SPRINK. IN DESIGN AREA	
WATER FLOW SWITCH	
DELUGE VALVE	

SYMBOL	MANUAL	COMMENTS

SYMBOL	QUANTITY	SIZE	K	TEMP	MODEL

TOTAL THIS SHEET	

PROJECT	
HANGER PUMP ROOM	

SYMBOL	DATE
DAW	8/20/95
4FP	8/20/95